



机身组装
Assemble the Fuselage

1 对齐 Align
 C1, C2粘在一起, 按预留孔对齐
 Paste together the C1 and C2, and align with reserved holes

2 翻转 Turn over
 C1-1L粘贴时按预留孔对齐
 Align with the reserved holes when paste the C1-1L

3 翻转 Turn over
 C1-1L / C1-1R

4 把侧板粘贴到步骤3拼装的骨架上, 如下图。
 Paste the side panel onto the skeleton of step 3 as shown below

仓身盖为可开合设计, 请勿用胶水粘死到机身上。
 The cover is detachable. Do not stick to the body with glue.

5 3X4mm桐木 Paulownia

6 3X3mm轻木 Balsawood
 此处按实际长度截取
 Cut here by actual length

7 M2

粘贴蒙版M2时, 用水稍加湿润, 方便弯曲, 然后进行粘贴。
 When pasting the covering mask M2, it is slightly moistened with water, which is easy to bend and then pasted.

8 安装圆木杆
 install the round wooden rods.

9 粘贴蒙版M1时, 用水稍加湿润, 方便弯曲, 然后进行粘贴。
 When pasting the covering mask M1, it is slightly moistened with water, which is easy to bend and then pasted.

10 磁铁 magnet
 仓身内舵机位置
 servo position inside the cabin

机身与仓身盖两部分磁铁为相吸状态
 The two parts of the fuselage and the body cover are in a state of attraction.

11 U Fx2

12 L R

机翼, 尾翼组装
Assemble the Wing and Tail

尾翼组装
Assemble the Tail

13 R15 R11 R12 R23 R1 R7 R5 R8 R3 R19 R13 R16 R20 R2 R6 R17 R10 R9 R22 R21 R18 R24 R4

14 14.1 14.2 E1 E12 E11 E7 E10 E3 E6 E9 E5 E8 E4 E2 E13 E19 E22 E18 E14 E21 E17 E20 E23 E15 E16

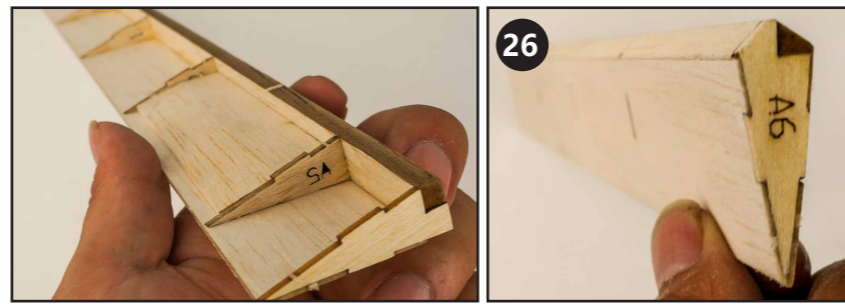
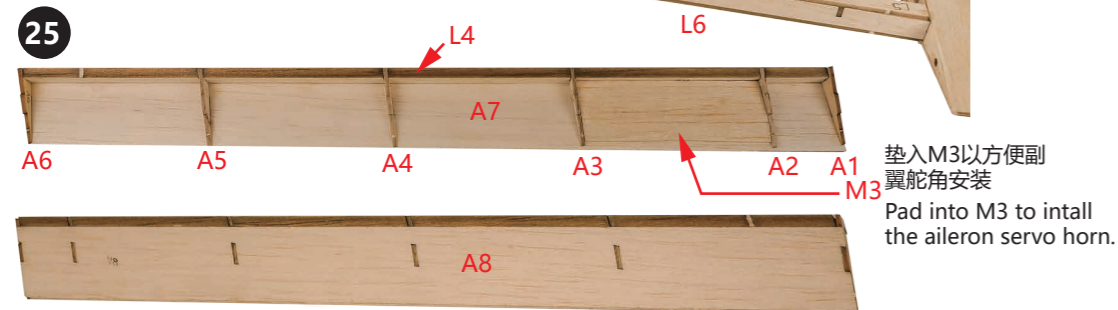
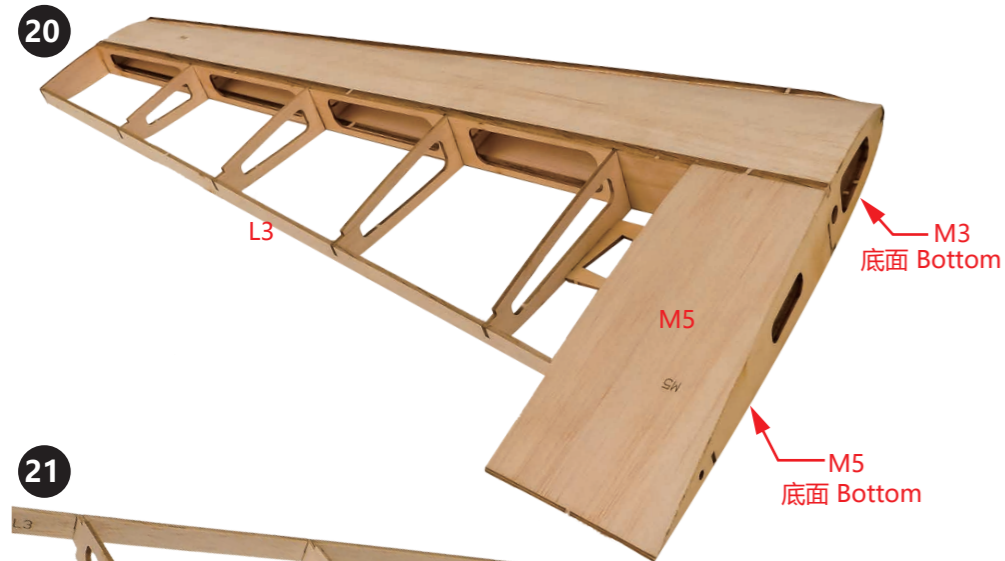
机翼组装
Assemble the Wing

15 W7 W6 W5 W4 W3 W2 W1-1 | W1 L1

16 3X3mm轻木 Balsawood
 此处按实际长度截取
 Cut here by actual length

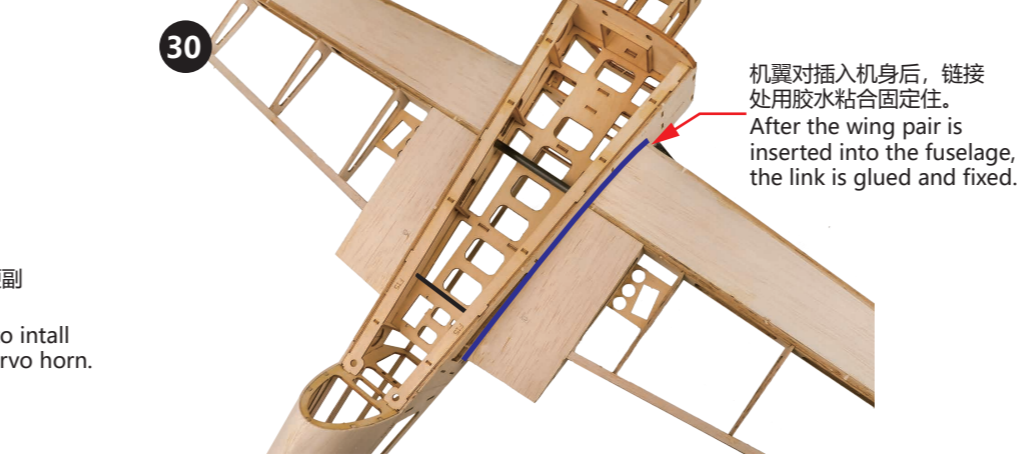
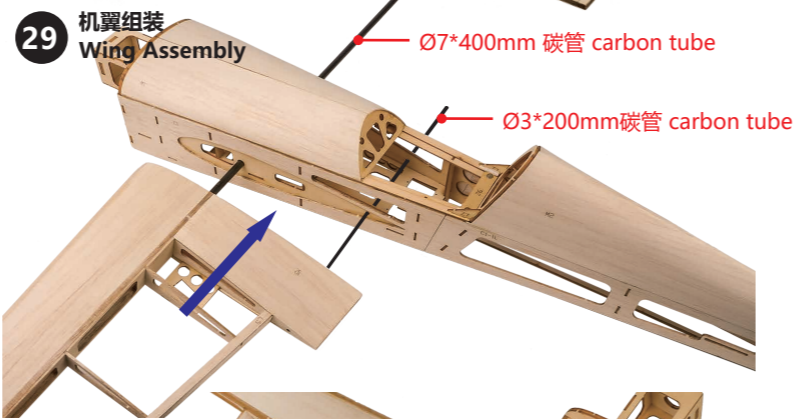
17 顶面 Top
 M4

按实际形状裁剪PVC座舱罩, 然后粘贴到舱盖上。
 Cut the PVC canopy cover according to the actual shape and then paste it onto the hatch cover.

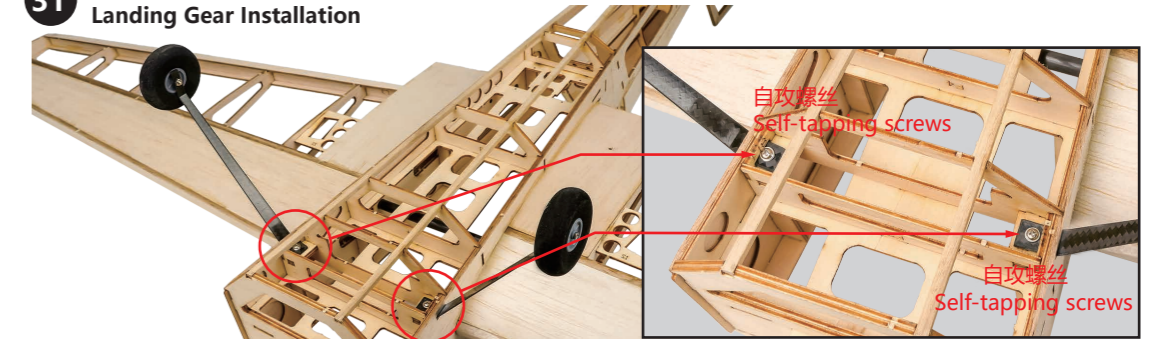


**各部件组装
Components Assembly**

**27 尾翼组装
Tail Assembly**



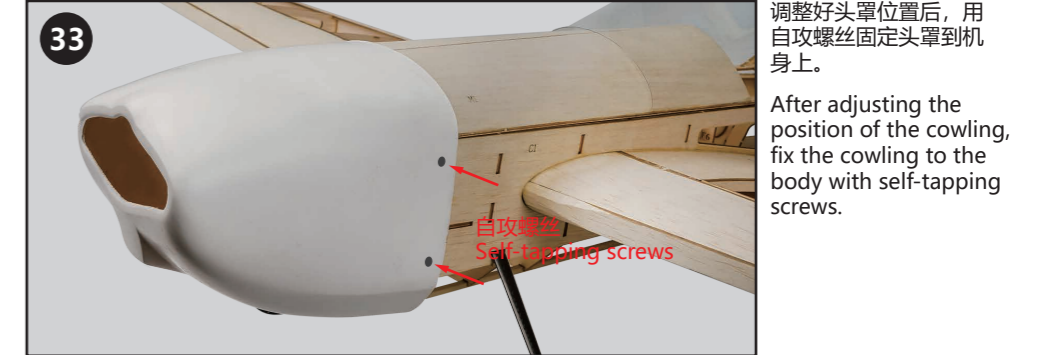
**31 起落架组装
Landing Gear Installation**



后尾轮组装 Rear Wheel Installation

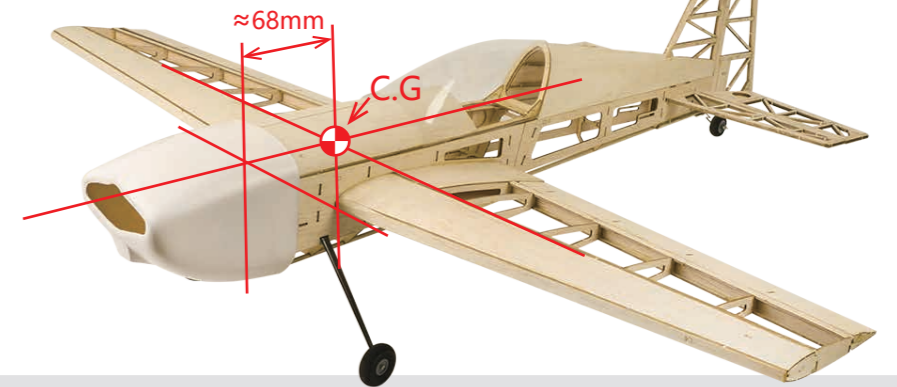


**头罩组装
Cowling Installation**



**起飞重心设置
C.G. Setting**

调整好重心后即可进行试飞
After adjusting the center of gravity, you can test flight.



参数
翼展: 1000mm
机长: 900mm
起飞重量≈800g

Specification
Wingspan: 1000mm
Length: 900mm
Flying Weight≈800g

推荐配置
马达: 2212-2216 900-1200KV
电调: 20-30A
桨叶: 9-11寸
舵机: 9g*4
电池: 3s 1500-2200mAh
通道≥4CH

Suggested Equipment
Motor: 2212-2216 900-1200KV
ESC: 20-30A
Propeller: 9-11 inch
Servos: 9g*4
Battery: 3s 1500-2200mAh
Radio≥4CH