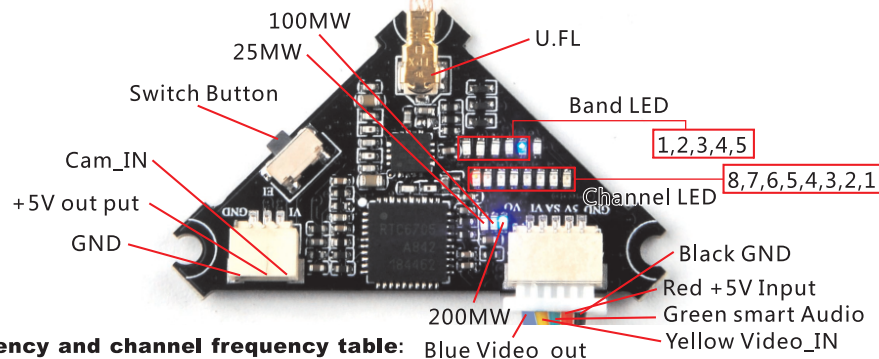


5.8G 25-200mw switchable Whoop_VTX

Blue LED5 and Red LED8 light on, indicating frequency 5917MHZ (BAND5 and CH8)
 Blue LED1 and Red LED2 light on, indicating frequency 5845MHZ (BAND1 and CH2)



Frequency and channel frequency table:

FR \ CH	CH1	CH2	CH3	CH4	CH5	CH6	CH7	CH8
Band1(A)	5865M	5845M	5825M	5805M	5785M	5765M	5745M	5725M
Band2(B)	5733M	5752M	5771M	5790M	5809M	5828M	5847M	5866M
Band3(E)	5705M	5685M	5665M	5665M	5885M	5905M	5905M	5905M
Band4(F)	5740M	5760M	5780M	5800M	5820M	5840M	5860M	5880M
Band5(R)	5658M	5695M	5732M	5769M	5806M	5843M	5880M	5917M

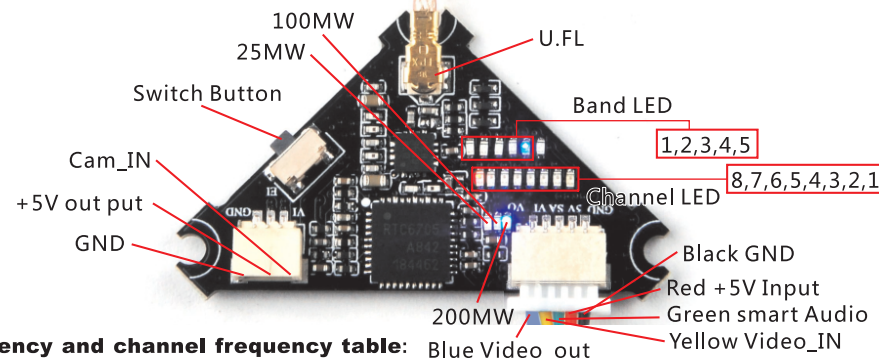
There are 3 ways to switch the vtx channels:

- Long press the switch button to change the Band of the VTX, shorter press the switch button to change the channels of the VTX.
(Can't save ,it will lost the channel while re-power for the Trashcan since the Smartaudio funciton enalbed)
- Go to Betaflight CLI ,type the command:
 Set vtx_band=3
 Set vtx_channel=1
 Set vtx_freq=5705
 save
 Notes: The vtx_freq should match the vtx_band and vtx_channle as the VTX Channel list shows.
 For example, if you set vtx_freq=5732, you should set vtx_band=5 and vtx_channel=3
- Enable Smartaudio for UART1, then move the stick of the transmitter (THR MID+YAW LEFT + PITCH UP) to enter OSD Menu, Enter to Features, then enter to VTX SA to set VTX Band and channel

Identifier	Configuration/MSP	Serial Rx	Telemetry Output	Sensor Input	Peripherals
USB VCP	<input checked="" type="checkbox"/> 115200 ▾	<input type="checkbox"/>	Disabled ▾ AUTO ▾	Disabled ▾ AUTO ▾	Disabled ▾ AUTO ▾
UART1	<input type="checkbox"/> 115200 ▾	<input type="checkbox"/>	Disabled ▾ AUTO ▾	Disabled ▾ AUTO ▾	TBS SmartAud ▾ AUTO ▾
UART2	<input type="checkbox"/> 115200 ▾	<input type="checkbox"/>	Disabled ▾ AUTO ▾	Disabled ▾ AUTO ▾	Disabled ▾ AUTO ▾

5.8G 25-200mw switchable Whoop_VTX

Blue LED5 and Red LED8 light on, indicating frequency 5917MHZ (BAND5 and CH8)
 Blue LED1 and Red LED2 light on, indicating frequency 5845MHZ (BAND1 and CH2)



Frequency and channel frequency table:

FR \ CH	CH1	CH2	CH3	CH4	CH5	CH6	CH7	CH8
Band1(A)	5865M	5845M	5825M	5805M	5785M	5765M	5745M	5725M
Band2(B)	5733M	5752M	5771M	5790M	5809M	5828M	5847M	5866M
Band3(E)	5705M	5685M	5665M	5665M	5885M	5905M	5905M	5905M
Band4(F)	5740M	5760M	5780M	5800M	5820M	5840M	5860M	5880M
Band5(R)	5658M	5695M	5732M	5769M	5806M	5843M	5880M	5917M

There are 3 ways to switch the vtx channels:

- Long press the switch button to change the Band of the VTX, shorter press the switch button to change the channels of the VTX.
(Can't save ,it will lost the channel while re-power for the Trashcan since the Smartaudio funciton enalbed)
- Go to Betaflight CLI ,type the command:
 Set vtx_band=3
 Set vtx_channel=1
 Set vtx_freq=5705
 save
 Notes: The vtx_freq should match the vtx_band and vtx_channle as the VTX Channel list shows.
 For example, if you set vtx_freq=5732, you should set vtx_band=5 and vtx_channel=3
- Enable Smartaudio for UART1, then move the stick of the transmitter (THR MID+YAW LEFT + PITCH UP) to enter OSD Menu, Enter to Features, then enter to VTX SA to set VTX Band and channel

Identifier	Configuration/MSP	Serial Rx	Telemetry Output	Sensor Input	Peripherals
USB VCP	<input checked="" type="checkbox"/> 115200 ▾	<input type="checkbox"/>	Disabled ▾ AUTO ▾	Disabled ▾ AUTO ▾	Disabled ▾ AUTO ▾
UART1	<input type="checkbox"/> 115200 ▾	<input type="checkbox"/>	Disabled ▾ AUTO ▾	Disabled ▾ AUTO ▾	TBS SmartAud ▾ AUTO ▾
UART2	<input type="checkbox"/> 115200 ▾	<input type="checkbox"/>	Disabled ▾ AUTO ▾	Disabled ▾ AUTO ▾	Disabled ▾ AUTO ▾