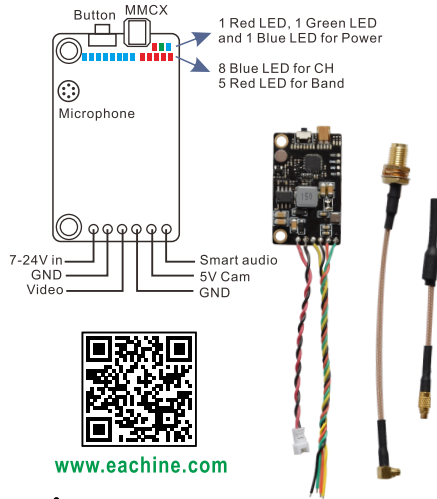


PRODUCT SPECIFICATION

5.8GHz 40 Channel AV Transmitter



www.eachine.com



Please do not remove heat sink!



**TX805S — 5.8GHz
40CH AV Transmitter**



Product Instruction
Manual

PRODUCT SPECIFICATION

Specification and Parameters:

- Input voltage: 7V to 24V
- 5V camera supply: 220mA(MAX)----25mW@12V(Type)
- 5V camera supply: 470mA(MAX)----500mW@12V(Type)
- 5V camera supply: 550mA(MAX)----1000mW@12V(Type)
- 5V camera supply: 830mA(MAX)----1600mW@12V(Type)
- Extra features: Smart audio
- Power supply: 5V output for Camera
- Output power: 25mW/500mW/1000mW/1600mW switchable
- Antenna connector: MMCX
- Cable connector: Solder pads
- Dimensions: 36mm*22mm*5mm,30.5 stackable hole
- Weight: 11.3g(excluding antenna)
- Kit contents: 1*VTX ,1*pigtail,1*Antenna,1*Instructions

Button control Channel select mode

Channel select

Select channels by simple short presses.
Blue LED light on stands for CH1,short presses to change 8 channels sequentially.

For CH2/3/4/5/6/7/8, Blue LED flicker once,it won't light on.
Notice:Blue LED only light on for CH1

Band select

Press button for 2S,Red LED will flash,then short presses to select 5 bands.

PRODUCT SPECIFICATION

Power select

Press button for 4S,Red LED will flash,then select power by simple short presses to select 25mW/500mW/1000mW sequentially,For 500mW, Green LED flicker once,it won't light on;For 1000mW Blue LED flicker once,it won't light on . Press the button again ,Red LED,Green LED and Blue LED lights together,Represents the highest power 1600mW.
Notice:Red LED only light on for 25mW.

Pit Mode(0.01mW)

While in Pit Mode you can change channels and set power levels , but none of these changes will take effect until you quit Pit Mode.By default ,Pit Mode will send a very weak signal.

Two ways to exit pit mode:

Press button 12S until all 16 LED turned off and light on again to exit pit mode,or you can exit pit mode via Betaflight OSD.

Notice:The VTX has memory for settings,To change the settings ,please repeat steps as above.

Frequency and channel frequency table:

Band	CH							
	CH1	CH2	CH3	CH4	CH5	CH6	CH7	CH8
1(Band A)	5865M	5845M	5825M	5805M	5785M	5765M	5745M	5725M
2(Band b)	5733M	5752M	5771M	5790M	5809M	5828M	5847M	5866M
3(Band E)	5705M	5685M	5665M	5645M	5885M	5905M	5925M	5945M
4(Band F)	5740M	5760M	5780M	5800M	5820M	5840M	5860M	5880M
5(Band r)	5658M	5695M	5732M	5769M	5806M	5843M	5880M	5917M

128克铜版纸四色印刷折页
尺寸：126mm*93mm