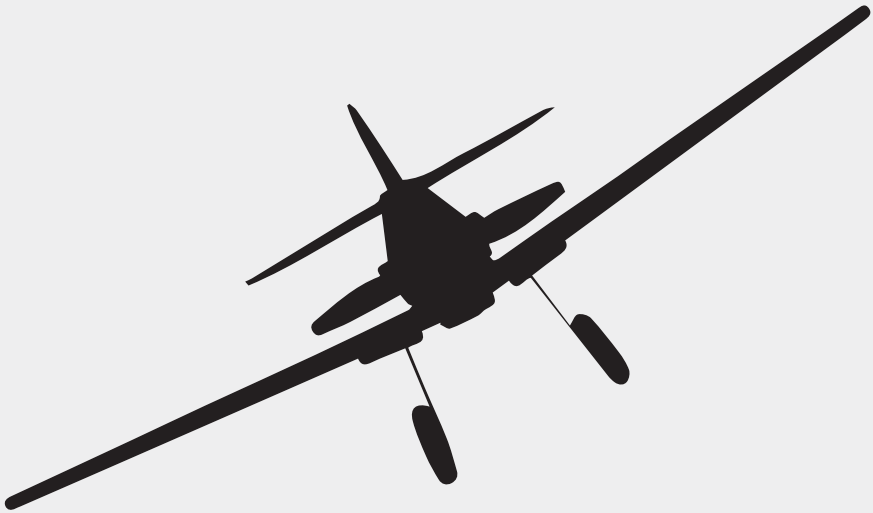


**TOP**  
RC HOBBY

**AGE 14+**

**Radio Control Micro Planes  
General Instructions**



# Warning

The following terms are used in the product manual to indicate the various degrees of injury that may be caused when operating this product. Note: If these steps are not followed correctly, property damage and/or personal injury may result.

△ Before operation, please read the entire instruction manual to familiarize yourself with the functions of the product. Improper operation of the product may cause damage to the product, personal and property, and cause serious injury.

△ This is a complicated model airplane product, not a toy. It must be operated carefully and use the necessary common sense, and requires some basic technical skills. Failure to operate this product in a safe and responsible manner may result in injury or damage to the product or other property. This product is not suitable for children who have not been directly supervised by adults. Without the approval of Shenzhen Top RC Hobby Tech Co.,Ltd, no attempt to disassemble, use incompatible parts or enhance the product in any way is prohibited. This manual contains safety, operation and maintenance instructions. Before assembling, setting up or using, be sure to read and follow all instructions and warnings in the manual to operate correctly and avoid damage or serious injury. Age Recommendation: Not suitable for children under 14 years of age. This is not a toy.

## Safety Precautions

You are solely responsible for operating in a manner that does not endanger yourself and others or damage the product or the property of others.

- Please make sure that all batteries are properly charged before using this product.
- Before each operation, be sure to check all servo systems and their connections.
- Do not operate your aircraft near spectators, parking areas or any other areas that may cause personal injury or property damage.
- Never operate the aircraft in bad weather conditions. Poor visibility can cause the aircraft to lose direction and control.
- Never point the transmitter antenna directly at the aircraft. The radiation pattern at the tip of the antenna is inherently low.
- If any unstable or abnormal operation is observed at any time during the operation of the aircraft, please stop the operation of the aircraft immediately until the cause of the malfunction is found and eliminated.

## **Battery Usage & Charging Warnings:**

**CAUTION:** All instructions and warnings must be followed exactly. Incorrect use of Li-Po/ Li-Ion/Ni-Mh batteries can result in fire, personal injury and / or property damage.

- The battery charger included with your plane (if there be) is designed to safely charge and charge the specific Li-Po/ Li-Mh battery.
- By handling, charging or using the included battery, you shall assume all risks associated with Li-Po/ Li-Ion/Ni-Mh battery.
- If at any time, the battery begins to balloon or swell, discontinue using it immediately. If it is charging or discharging, you should discontinue and disconnect from the battery from the charger.

Continuing to use, charge or discharge the battery that is ballooning or swelling may result in fire.

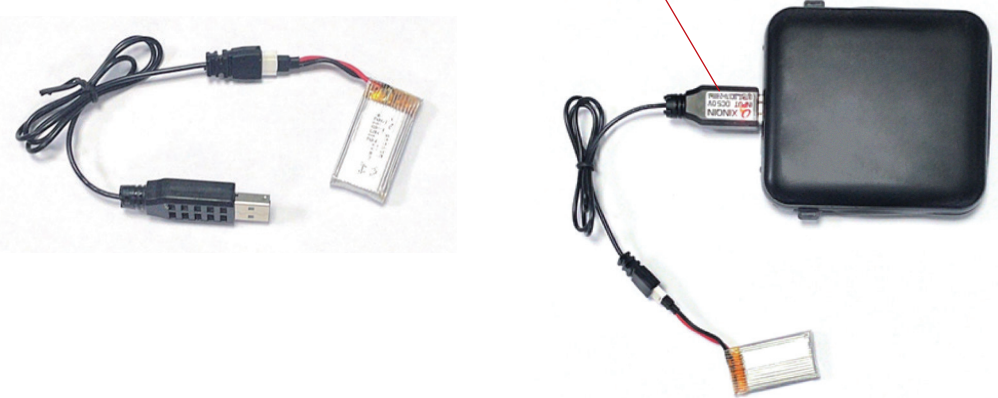
- To maintain battery life, keep the battery in a dry place indoors.
- Always transport or temporarily store the battery in a temperature range of 40-100 Fahrenheit degrees (5-40 degrees centigrade). Do not store the battery or the plane in a car or under direct sunlight. If you store the battery in a car that is too hot, the battery may be damaged or even cause fire.
- Always charge a battery away from flammable materials.
- Always check carefully the battery before charging and never charge damaged batteries.
- Always disconnect the battery after charging and keep the battery cool before the next charge.
- Always constantly monitor the temperature of the battery pack while charging.
- Only use a charger specially designed to charge specific batteries.
- Never discharge Li-Po cells below 3V under load.
- Never cover warning labels with hook or loop strips.
- Never leave charging batteries unattended.
- Never charge batteries outside recommended levels.
- Never attempt to dismantle or alter the charger.
- Never allow minors to charge battery packs.
- Never charge batteries in extremely hot or cold places (recommended between 40-100 Fahrenheit degrees / 5-40 degrees centigrade) or in direct sunlight.

## Packing list



## Charging instruction

LED Charging indicator

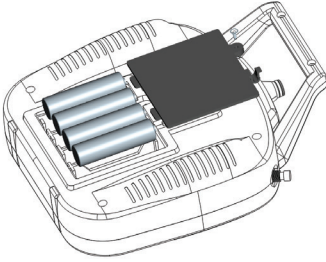


1. Unplug the battery from the aircraft.
2. Carefully insert the charger into the computer's USB port or USB adapter (5V output).
3. Connect the battery to the charger.
4. The charging process takes about 3 hours. For safety reasons, do not charge the battery for more than 4 hours. When charging, the red LED indicator will be off. When charging is complete, the red LED will stay on.

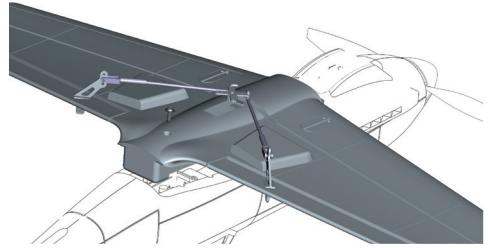


## Installation Notes

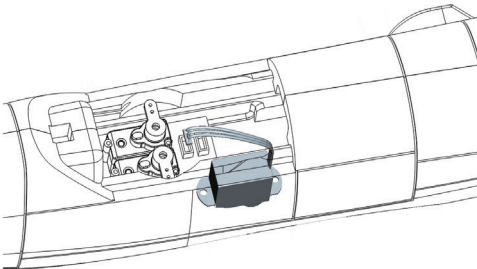
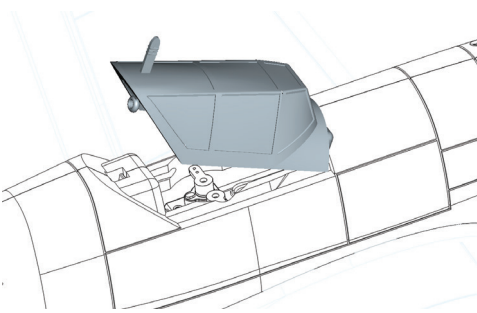
1. Install 4 AA batteries in the transmitter and tighten the cover with the attached screws.



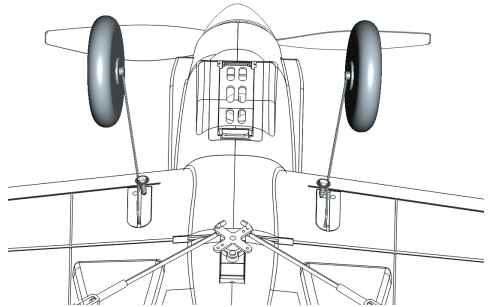
2. Please insert the main wing to the fuselage as shown, fix it with the screw in the accessories bag. (This assembly step is needed for our BF-109 airplane. We can also unscrew and disassemble the main wing for micro planes.)



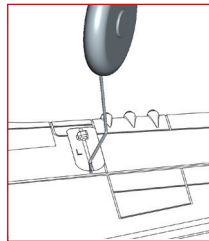
3. Please use a little strength to open the cabin by pulling the antenna in the fuselage and insert the servo male connector to the female connector in the PCB board as shown, then please close the cabin. (This assembly step is only needed for our Mini BF109).



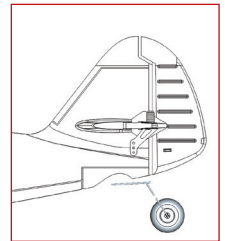
4. Please insert the steel wire of the main landing gear into the slots of the main wings and tighten it by the attached screws.



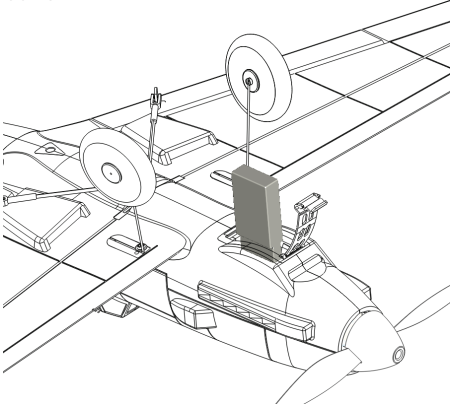
Snap the steel wire of main landing gear into the slots of the main wings as shown.



Insert the tail landing gear to the plastic mounting hole of the tail part of the fuselage.



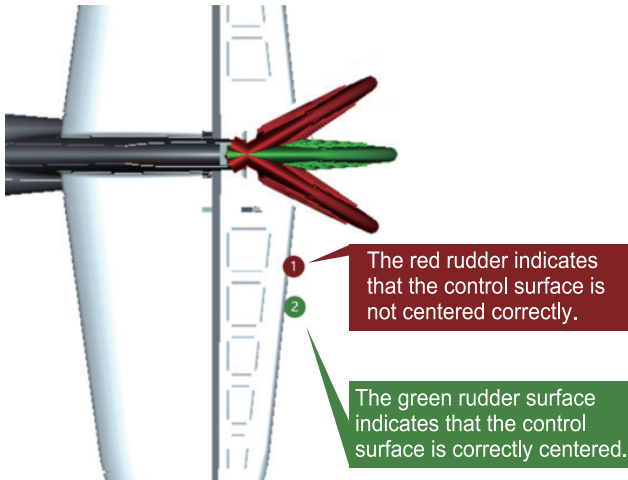
5. Power on the transmitter First. Open the battery cover and insert the male connector of the battery into the female connector of the ESC, then put the battery into the battery case and lock the battery cover by plastic button.



6. The setting is completed. Before starting to operate the aircraft, be sure to read and follow all instructions in this manual.

## Center of Control Surfaces

**Note:** Before operating the steps below, please put the Top Gyro switch into EXPERT mode. Please refer to the section "Top-Gyro (Top-Gyro Flight Control System)" for more information. With the transmitter turned on and the battery connected to the ESC (and installed in the battery compartment), you can now check the center of all the control surfaces. Observe the rudder to make sure it is centered correctly, as shown below.



## Center of Control Surfaces

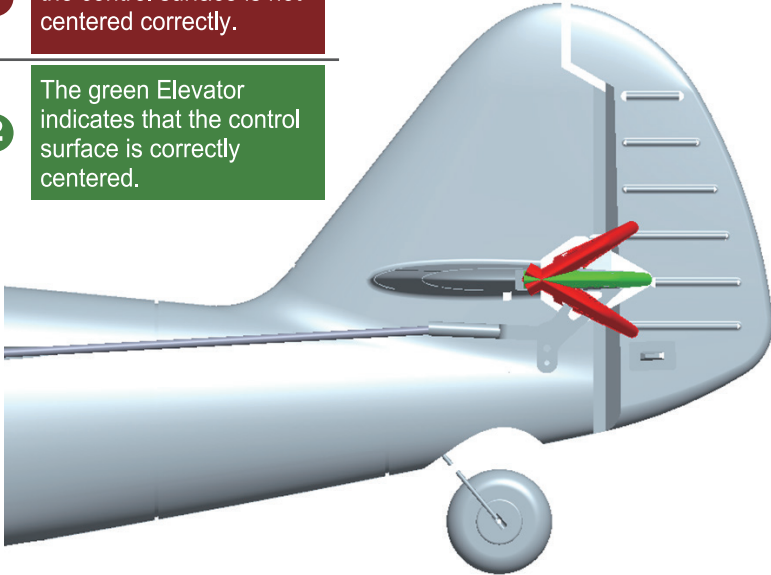
Then observe the elevator to make sure it is centered correctly, as shown below.

1

The red Elevator means the control surface is not centered correctly.

2

The green Elevator indicates that the control surface is correctly centered.



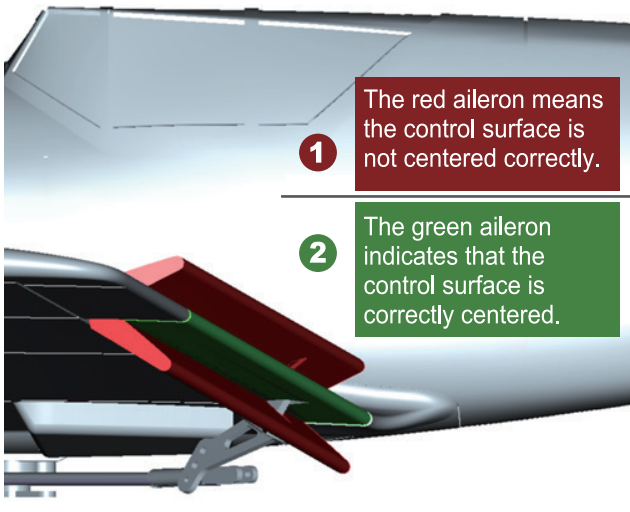
Look at the aileron again to make sure it is centered correctly, as shown below.

1

The red aileron means the control surface is not centered correctly.

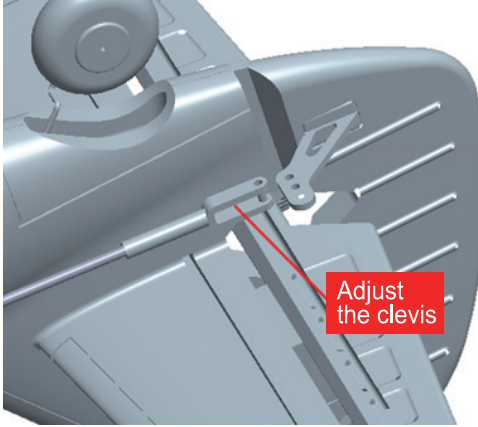
2

The green aileron indicates that the control surface is correctly centered.

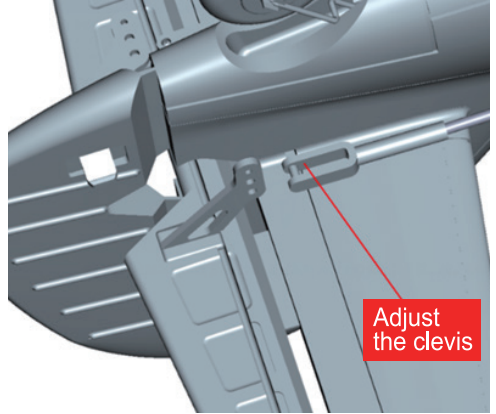


## Center of Control Surfaces

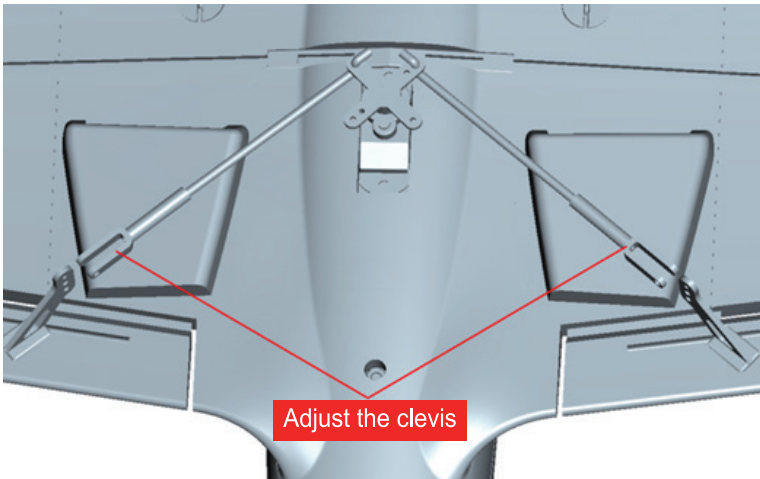
If the rudder incline left or right side, please rotate the U clevis to adjust the length of the pushrod to keep the rudder to be centered.



If the elevator incline to upper and lower position please rotate the U clevis to adjust the length of the pushrod to keep the elevator to be centered.



If the aileron incline to upper or lower position, please rotate the U clevis to adjust the length of the pushrod to keep the aileron to be centered.



### Notice

All the U clevis are pre-installed in the middle hole of control horn, customers do not need to make any change for the hole of control horn during the flight.

## Transmitter Instructions

### Mode 2 Transmitter



### TOP-Gyro Switch



0 - Away From You-manual/ TOP-Gyro Off(EXPERT).  
1 - AT the Middle-soft TOP-Gyro Assist(MIDD).  
2 - Towards You- Strong TOP-Gyro Assist (BEGINNER).  
This airplane comes with a pre-installed TOP-Gyro device to help make the flying of this model easier. The TOP-Gyro system offers 3 levels of assistance. With the switch in Position 0 (away from you) there is no Gyro assistance. This position is only recommended for experienced or Expert fliers.  
Position 1 (Middle switch position) offers soft self levelling assistance for new to intermediate fliers.

Position 2 (Beginner switch position, closest to you) offers the strongest level of assistance for the new flier. This position will strongly assist the model to stay level and fly easily.

**CAUTION:** It is strongly suggested to use Position 2 or 1 when you first fly this model. As you become more experienced you can progress from 2 to 1 to 0. The TOP-Gyro switch position can be changed whilst flying so if you are having difficulties we suggest to move the switch to Position 2. Note that the Calibration of the TOP-Gyro system as described on page 14 MUST be performed before the very first flight of this model.

## Binding Instruction

**Your model is shipped from the factory with the transmitter bound to the receiver.**

Binding is the process of programming the receiver to recognize the GUID(Globally Unique Identifier)code of a single specific transmitter. When a receiver is bound to a transmitter, the receiver will only respond to that specific transmitter.

If you need to rebind for any reason, please follow these steps:

1. Keep the transmitter switch OFF, throttle joystick at bottom position **NOTICE:** Keep Top-Gyro switch at Middle or Beginner position
- NOTICE:** Keep the plane still in a calm environment for calculating the Top-Gyro.
2. Connect the battery to the plane, then turn on the transmitter within 5 seconds.
3. The receiver LED will flash for 3-8 seconds to bind automatically.
4. After the receiver LED stop flashing, it means the binding process is done.

Follow below steps when you operate a bound plane.

1. Power on transmitter first.
2. Connect the battery to the plane within 3 seconds.
3. The receiver LED in plane will flash and then turn to solid in several seconds.
4. Switch the Top-Gyro control stick to Top-Gyro assist level (MIDD or BEGINNER).
- NOTICE:** Allow the airplane stay still about 3-5 seconds in a calm environment when you first time turn on Top-Gyro, in order to calibrate and activate the Top-Gyro When the Top-Gyro starts to react, means it is activated.
5. Turn throttle stick up to max and then down to min to arm the motor.

**CAUTION:** Do NOT operate around people or property, otherwise it may cause serious damage!

For safety reasons, every time when you turn on the Transmitter, the throttle will be locked, follow these steps to unlock the throttle.

**Note:** Just keep distance from the propeller for your safety.

Turn throttle joystick to the Max position, until you hear the “beep” sound, then turn the throttle joystick to the lowest position, until you hear the “beep”, then the throttle is unlocked.



## Digital Trims

Digital trims allow you to adjust the centered position of aileron, rudder or elevator. Each time when a trimmer is moved, the servo output will change one angle. If the trimmer is held, the output will scroll in that direction until the trimmer is released or the output reaches its end. When you hear a short beep sound, it means the trimmer is centered.


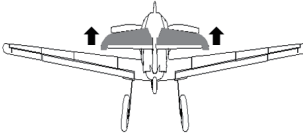

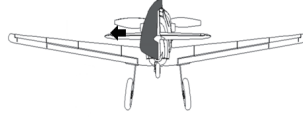


### Mode 2 Transmitter


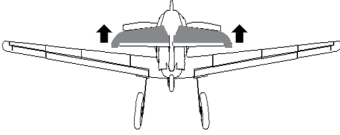
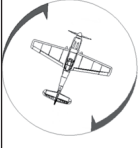

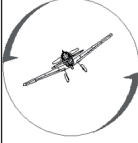
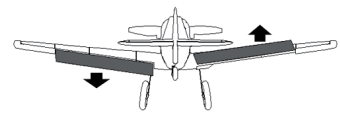


## Channel Reaction Checking

Place your plane in a neutral level position, follow below steps to check the channels reaction. Move the sticks (except the throttle stick) to see if all servo surfaces react correctly as shown in the left diagram (left throttle for example). Swing your plane to check if all servo surfaces react correctly as shown in the below diagram.

## Mode 2 (Left Throttle ) Shown

| Transmitter Operation  | Reaction  |
|--|---|
|  |  |
|  |  |
|  |  |

| Swing The Plane   | Top-Gyro Reaction  |
|---|--|
|  |  |
|  |  |
|  |  |

## One-key Aerobatics Instruction



The one-key aerobatics feature allows beginner pilots to perform aerobatic actions by simply pressing the button on transmitter.

During flight, under Top-Gyro control mode, press the one key aerobatics button, the transmitter will beep several times. During the beeping, simply move the aileron stick to either direction for auto-roll. Or move the elevator stick to either direction for auto-loop.



## One-key U-turn

The airplane comes with one-key U-turn function, which enables the plane to U-turn by the opposite direction that the airplane takes off. Follow below steps to activate the function.

1. Place your plane heading to the take-off direction.
2. Do NOT unlock the throttle , press the activation button and hold for several seconds until you hear a " beep " sound , the rudder surface will respond , meaning the one-key U-turn function is now activated.

### NOTICE

Every time when you power on the plane, it requires to activate the one-key U-turn function. To use this function during flight , press one-key U-turn switch button , the plane will turn around automatically back to the opposite direction where it takes off.

To quit, just press again the switch button, or control any servo stick (rudder / elevator), the plane will back to your control immediately.

No matter you fly the plane under manual control or Top-Gyro assist mode, when you turn on the one-key U-turn function, the plane will enter Top-Gyro assist mode automatically to help stably flying back.

When you quit this function, the airplane will back to what the control mode it was.

**CAUTION:** This function is bound to the receiver, instead of to the transmitter, which means the plane Will U-turn ONLY to the opposite direction that the plane takes off. It also means when the plane U-turns and passes the position where you activated the function, the one-key U-turn function will NOT U-turn the plane back to the take-off position.



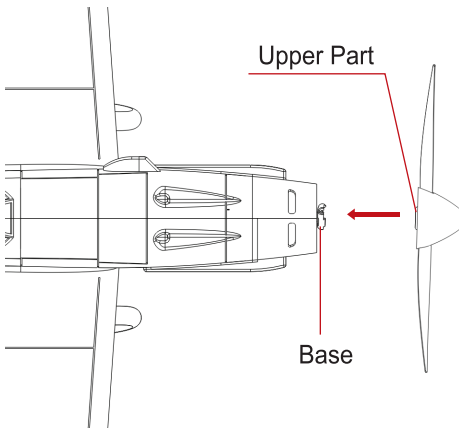
## Top-Gyro System Calibration



1. Place the model on a flat horizontal surface.
2. Turn the throttle stick to min position.
3. Power on the transmitter and the receiver.
4. Do NOT unlock the throttle.
5. Keep the sticks as above picture for several seconds.
6. When you hear a "beep" sound, it means the Top-Gyro system is calibrated based on the horizontal level you are keeping it.

\* This process should be performed before the very first flight of the model.

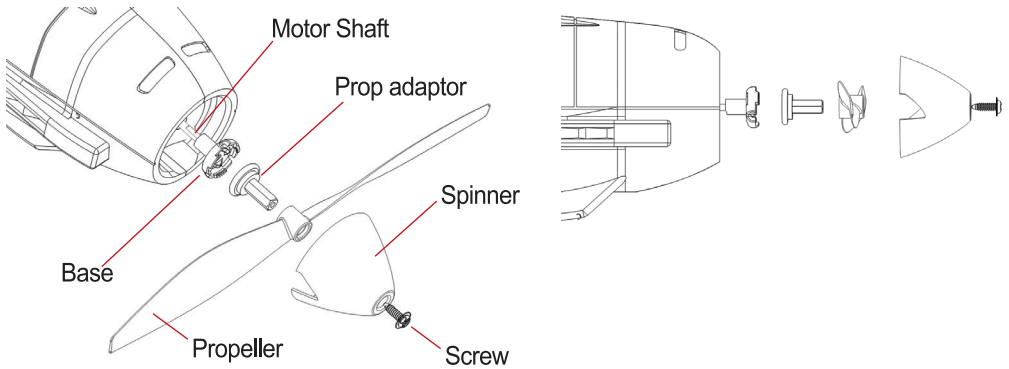
## Propeller Saver Instruction



The propeller saver keeps the propeller from damage, and prevent the electronic components from high current loads.

When the airplane hits any obstacles, the propeller will come loose from its mount. To install the propeller back to the base, insert the prop adaptor centrally through the motor shaft, and hearing a "click" sound to ensure it is secured.

## Propeller Replacement



Follow below steps to replace broken propeller. You will need help of a Philips screw driver and pliers (not included).

1. Take off the spinner and propeller, by loosening the screw with a Philips screw driver.
2. Take off the prop adaptor carefully. If it is too tight, use pliers to help.
3. Replace any part broken.
4. Install all parts back by inverted orders to finish the replacement.

## Low Voltage Warning

After flying about 10 minutes with full capacity battery, if transmitter makes continuous "Beep" sound, this means the voltage of the battery in the airplane is too low, please land the airplane safely asap, or the airplane may lose the power and land out of control.

## Flight Checklist

**NOTE:** This checklist is NOT intended to replace the content included in this instruction manual. Although it can be used as a quick start guide, we strongly suggest that you read all though the manual completely before proceeding.

Always turn the transmitter on first.

Ensure the throttle control stick is at bottom position before connecting the battery.

Fly the model (hand-launch or take off from a flat / level surface).

Land the model (on a flat / level surface.)

Unplug the battery from ESC.

Always turn off the transmitter last.

# **Radio Control Micro Planes General Instructions**



**Shenzhen Top RC Hobby Tech Co.,Ltd**

*www.toprchobby.com*

Tel: 0086-(0)755-27908315

Fax: 0086-(0)755-27908325

**AGE 14+**    **CE FC**

Made in China